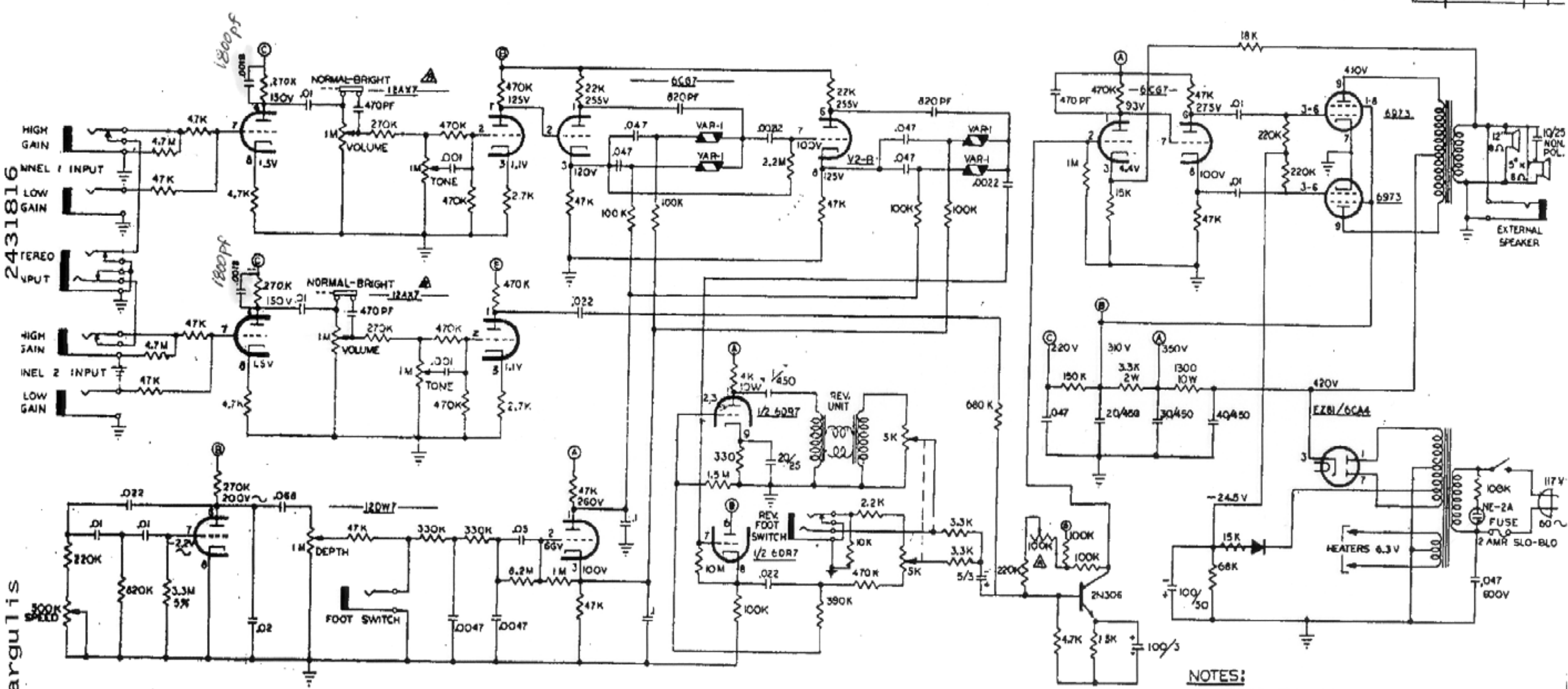


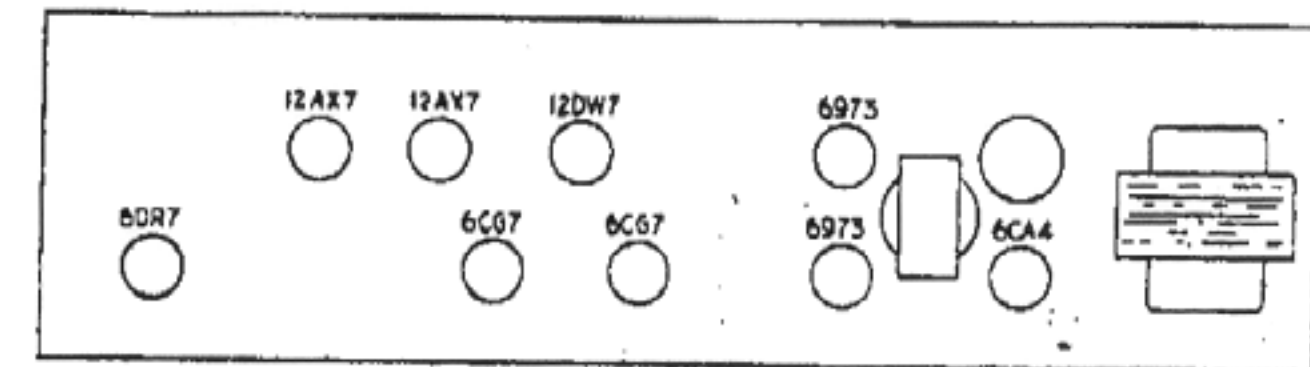
2431816

100-28-98 08:37A Margulis



- NOTES:**
1. VOLTAGES READ WITH A VTVM TO GROUND. ~ INDICATES A SWINGING VOLTAGE
 2. VAR-1 IS A VARISTOR PART NO. 5412
 3. * SELECTED AT FACTORY

INSTRUMENT AMPLIFIER MODEL 450
 117 VOLTS 60 CYCLES 180 WATTS
 ESTEY ELECTRONICS INC.
 TORRANCE, CALIF.
 VIBRATO FEATURE PATENT NO. 2,988,704



ZACK
450
CUSTOM
MARK

ESTEY ELECTRONICS, INC.	
TORRANCE, CALIFORNIA	
MODEL	AMPLIFIER SCHEMATIC
NO.	450
DATE	11-11-61
REV.	1-66-3003