

- NOTES:
- 1.) RESISTORS ARE 1/2W FLU UNLESS OTHERWISE SPECIFIED.
 - 2.) ALL VOLTAGES MEASURED WITH RESPECT TO GROUND USING A DVM OF AT LEAST 10K INPUT IMPEDANCE AND 10MΩ DC IMPEDANCE.
 - 3.) ALL VOLTAGES MEASURED AT 120VAC 60Hz.
 - LINE CHANGES AT FULL COT.
 - DC VALUES MEASURED WITH NO SIGNAL PRESENT.
 - BIAS SET TO -35 VDC.

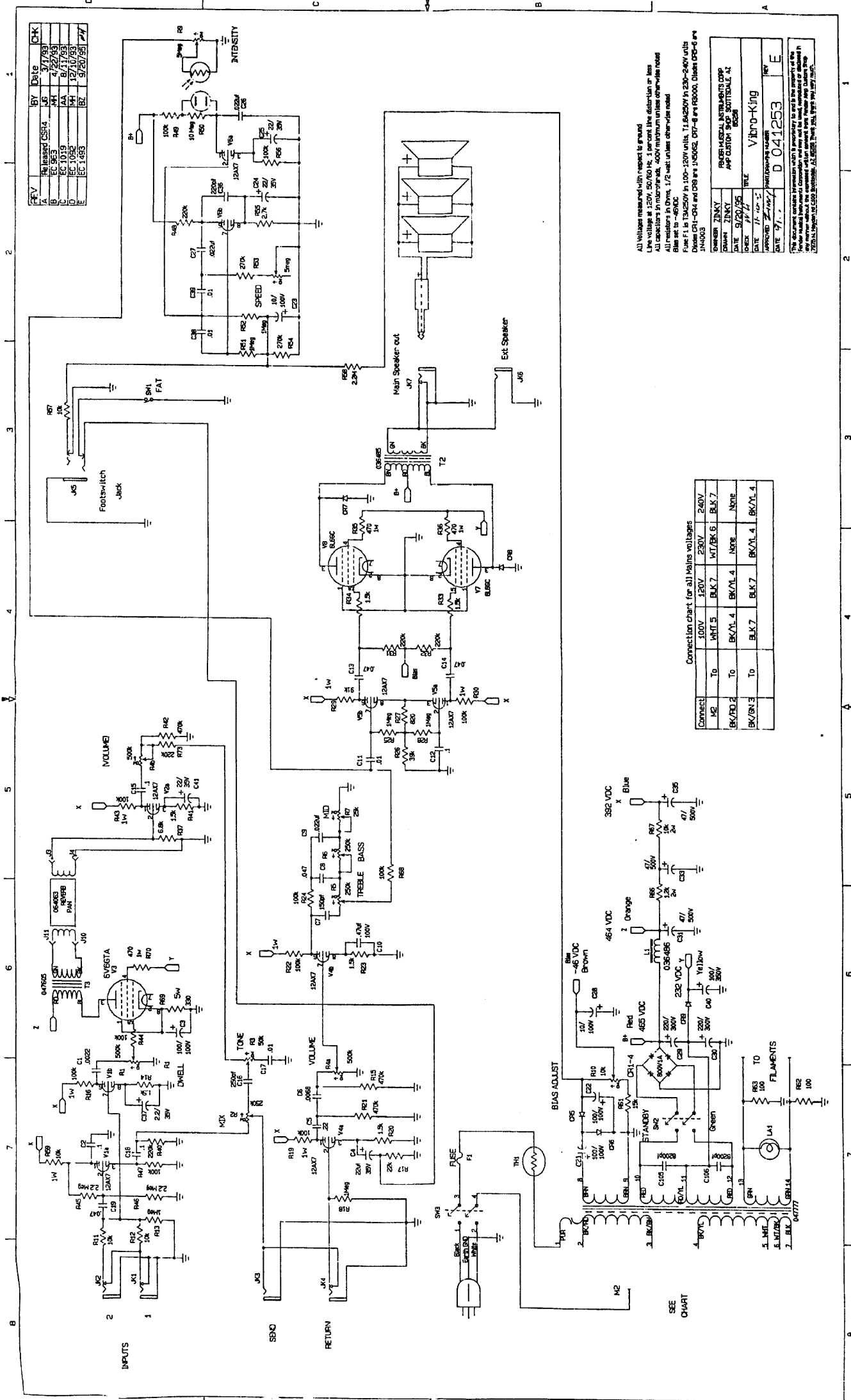
J. G. Gable

PROPRIETARY
 THIS DESIGN IS THE PROPERTY OF VIBRO-KING INSTRUMENTS AND IS NOT TO BE REPRODUCED OR TRANSMITTED IN ANY FORM OR BY ANY MEANS, ELECTRONIC OR MECHANICAL, INCLUDING PHOTOCOPYING, RECORDING, OR BY ANY INFORMATION STORAGE AND RETRIEVAL SYSTEM WITHOUT THE EXPRESS WRITTEN PERMISSION OF VIBRO-KING INSTRUMENTS, 1125 CALIFORNIA ST., BERKELEY, CALIFORNIA 94704. CREATED BY: JG GABLE. DATE: 3-2-93.

DESIGNER: BRUCE ZIMNY
 DRAWN: JAMES GIFFORD
 DATE: 2-3-90
 CHECKED: *AM*
 DATE: 3-2-93
 APPROVED: *AM*
 DATE: 2-10-93

TITLE: SCHEMATIC
 SCALE: 0158
 PART/DRAWING NUMBER: VIBRO-KING
 NONE
 DIBEK: D
 REV. A
 041253

REV	BY	DATE	CHK
A	REBASED CSR	3/7/93	
B	EC 963	4/22/93	
C	EC 1019	8/11/93	
D	EC 1052	12/10/93	
E	EC 1493	9/20/95	



All voltages measured with respect to ground.
 Line voltage at 230V, 50/60 Hz, 1 second line distribution on line.
 All capacitors in microfarads, 500V minimum unless otherwise noted.
 All resistors in Ohms, 1/2 watt unless otherwise noted.
 Bias set to -46VDC.
 Fuse F1 is 13A250V in 100-120V units, T1 6A250V in 230-240V units.
 Diodes CR1-CR4 and CR8 are 1N5002, CR7-8 are 1N5000, Diodes CR5-6 are 1N4003.

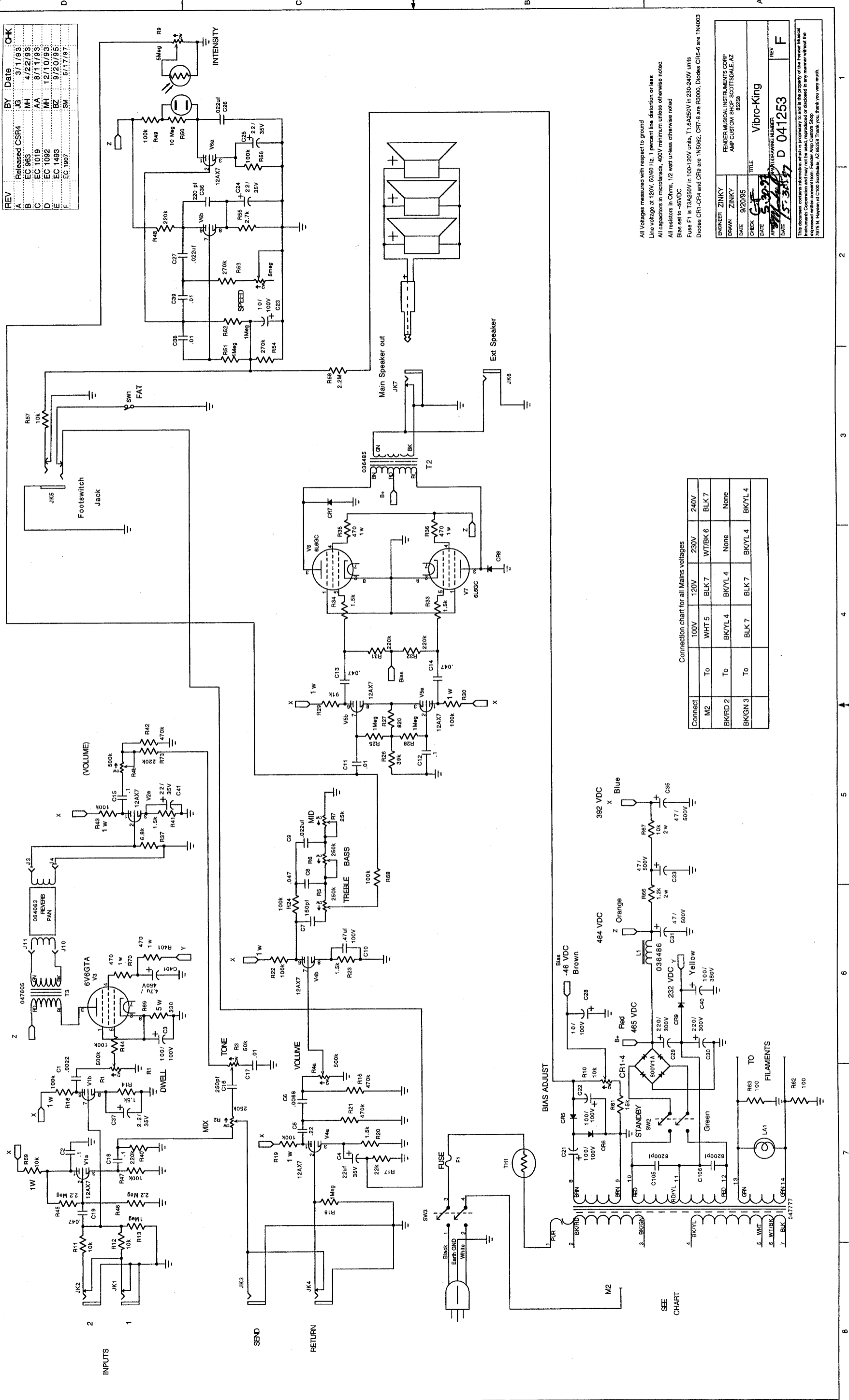
DESIGNER	ZINNY	ROBERT MULLER	DATE	9/20/95	FILE	041293	REV	E
DRAWN	ZINNY	ROBERT MULLER	DATE	9/20/95	FILE	041293	REV	E
CHECKED	ZINNY	ROBERT MULLER	DATE	9/20/95	FILE	041293	REV	E
APPROVED	ZINNY	ROBERT MULLER	DATE	9/20/95	FILE	041293	REV	E

Connection chart for all mains voltages

Connect	100V	120V	230V	240V
ME	WHT/5	BLK/7	WTR/6	BLK/7
CR/CR2	BLK/4	CR/4	CR/4	CR/4
CR/CR3	BLK/7	BLK/7	BLK/4	CR/4

SEE CHART

REV	BY	Date	CHK
A	JG	3/1/93	
B	EC	4/22/93	
C	AA	8/11/93	
D	MH	12/10/93	
E	BZ	9/20/95	
F	SM	5/17/97	

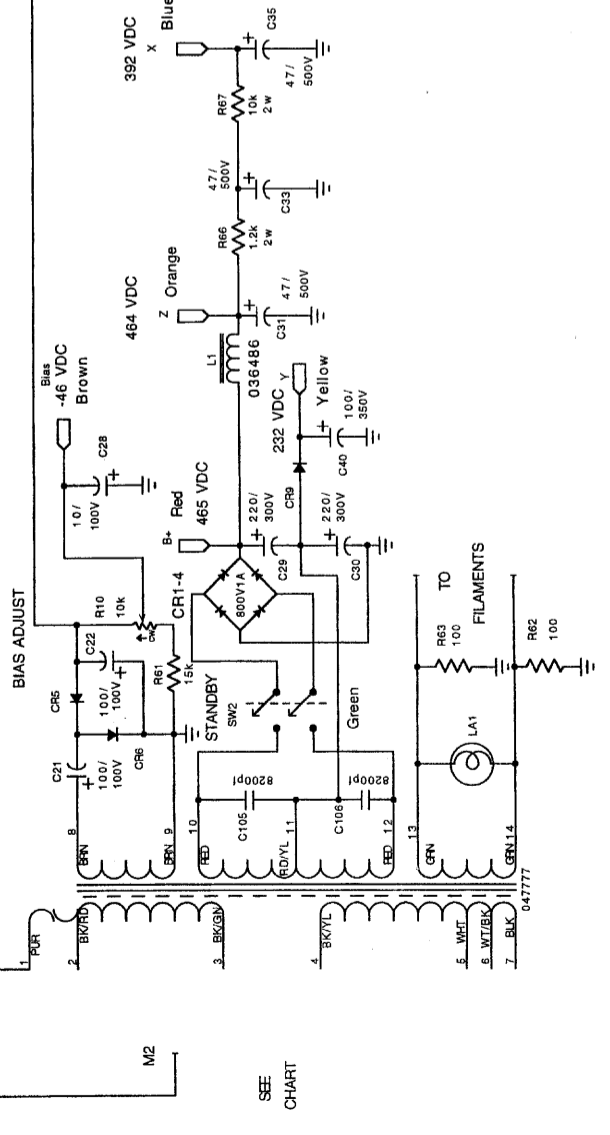


All Voltage measured with respect to ground
 Line voltage at 120V, 50/60 Hz, 1 percent line distortion or less
 All capacitors in microfarads, 400V minimum unless otherwise noted
 All resistors in Ohms, 1/2 watt unless otherwise noted
 Bias set to -46VDC
 Fuse F1 is T3A250V in 100-120V units, T1: 6A250V in 230-240V units
 Diodes CR1-CR4 and CR8 are 1N5062, CR7-8 are R3000, Diodes CR5-6 are 1N4003

ENGINEER	ZINKY
DRAWN	ZINKY
CHECK	9/20/95
DATE	9/20/95
APPROVED	5.30.97
DATE	15.3.97
TITLE	Vibro-King
PROJECT/DRAWING NUMBER	D 041253
REV	F

Connection chart for all Mains voltages

Connect	100V	120V	230V	240V
M2	To WHT 5	BLK 7	WT/BK 6	BLK 7
BK/YR 2	To BK/YL 4	BK/YL 4	None	None
BK/GN 3	To BLK 7	BLK 7	BK/YL 4	BK/YL 4



SEE CHART

This document contains information which is proprietary to and in the property of the Federal Musical Instruments Corporation and may not be used, reproduced or disclosed in any manner without the expressed written consent from: Federal Amp Custom Shop
 7975 N. Hayden rd C100 Scottsdale, AZ 85258 Thank you, thank you very much.